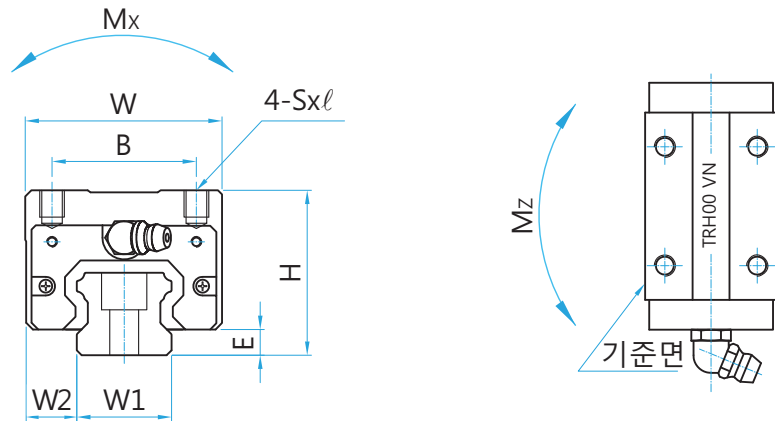


TRH-V

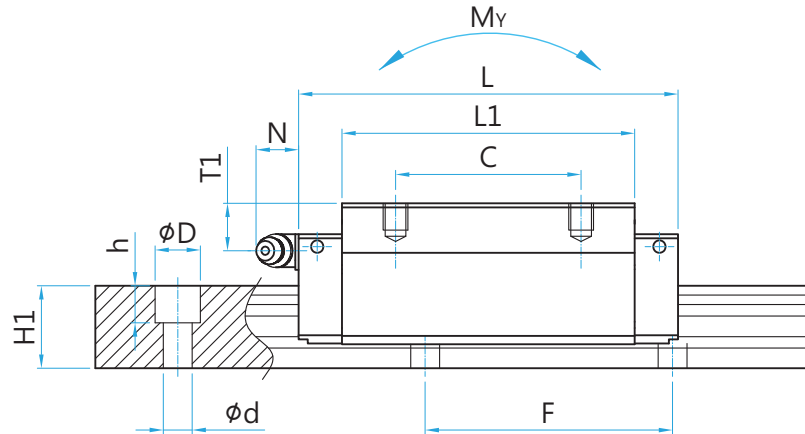


(unit : mm)

형번	H	W	L	B	C	Sxl	L1	오일홀	T1	N	E	W2
TRH15VN	28	34	56.9	26	26	M4x5	39.5	M4x0.7	9.5	7	3.2	9.5
TRH20VN	30	44	75.6	32	36	M5x5	54	M6x1	6.5	14	4.6	12
TRH20VE			99.6		50		78					
TRH25VN	40	48	81	35	35	M6x8	59	M6x1	11.5	14	5.8	12.5
TRH25VE			110		50		88					
TRH30VN	45	60	96.3	40	40	M8x10	69.3	M6x1	11	14	7	16
TRH30VL			107				80					
TRH30VE			132				105					
TRH35VN	55	70	109	50	50	M8x10	79	M6x1	15	14	7.5	18
TRH35VL			123				93					
TRH35VE			153				123					
TRH45VL	70	86	140	60	60	M10x15	106	PT 1/8	20.5	12.5	8.9	20.5
TRH45VE			174				140					
TRH55VL	80	100	163	75	75	M12x18	118	PT 1/8	21	12.5	13	23.5
TRH55VE			201.1				156					
TRH65VL	90	126	197	76	70	M16x20	147	PT 1/8	19	12.5	14	31.5
TRH65VE			256.5				206.5					



TRH-V



(unit : mm)

형번	W1	H1	$\phi d \times \phi D \times h$	F	Ca (kgf)	Coa (kgf)	Mx (kgf/m)	My (kgf/m)	Mz (kgf/m)	블럭 (kg)	레일 (kg/m)
TRH15VN	15	13	4.5 x 7.5 x 6	60	1260	2206	16	14	14	0.15	1.3
TRH20VN	20	16.5	6 x 9.5 x 8.5	60	2050	3696	37	33	33	0.31	2.3
TRH20VE					2553	5058	51	63	63	0.44	
TRH25VN	23	20	7 x 11 x 9	60	2581	4503	52	43	43	0.52	3.2
TRH25VE					3248	6255	72	85	85	0.77	
TRH30VN	28	23	9 x 14 x 12	80	3807	6483	90	74	74	0.95	4.5
TRH30VL					4098	7203	100	93	93	1.07	
TRH30VE					4791	9004	126	147	147	1.37	
TRH35VN	34	26	9 x 14 x 12	80	5090	8346	142	106	106	1.47	6.3
TRH35VL					5502	9328	159	133	133	1.71	
TRH35VE					6667	12274	209	233	233	2.26	
TRH45VL	45	32	14 x 20 x 17	105	7572	12808	292	220	220	3.00	10.4
TRH45VE					8852	16010	365	348	348	3.90	
TRH55VL	53	44	16 x 23 x 20	120	14703	21613	571	411	411	4.42	16.1
TRH55VE					17349	27377	723	670	670	5.50	
TRH65VL	63	53	18 x 26 x 22	150	22526	31486	973	695	695	8.66	22.5
TRH65VE					27895	42731	1320	1307	1307	10.30	

Ca : 정정격 하중, Coa : 동정격하중, Mx, My, My: 모멘트하중