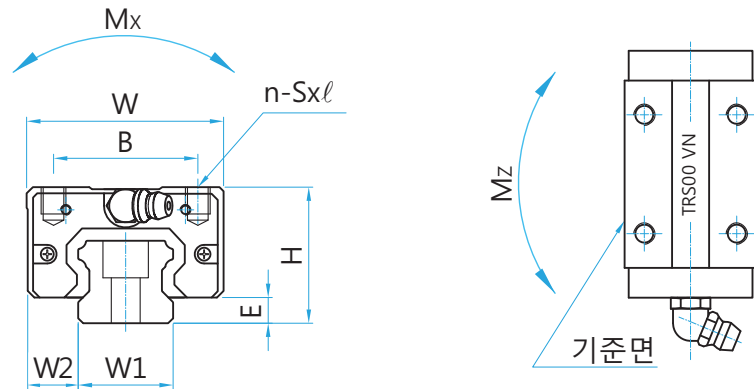


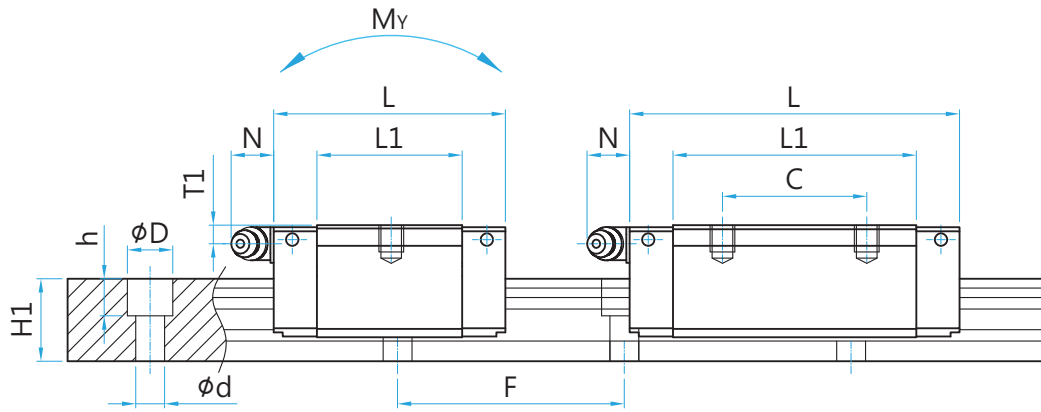
TRS-V



(unit : mm)

| 형번 | H | W | L | B | C | n-Sxl | L1 | 오일홀 | T1 | N | E | W2 |
|---------|----|----|-------|----|----|----------|------|--------|------|------|-----|------|
| TRS15VS | 24 | 34 | 40.3 | 26 | - | 2-M4x5 | 22.9 | M4x0.7 | 5.5 | 7 | 3.2 | 9.5 |
| TRS15VN | | | 56.9 | | 26 | 4-M4x5 | 39.5 | | | | | |
| TRS20VS | 28 | 42 | 49.4 | 32 | - | 2-M5x5 | 27.8 | M6x1 | 4.5 | 14 | 4.6 | 11 |
| TRS20VN | | | 68.3 | | 32 | 4-M5x5 | 46.7 | | | | | |
| TRS25VS | 33 | 48 | 57.2 | 35 | - | 2-M6x6 | 35.2 | M6x1 | 4.5 | 14 | 5.8 | 12.5 |
| TRS25VN | | | 81 | | 35 | 4-M6x6 | 59 | | | | | |
| TRS30VS | 42 | 60 | 67.4 | 40 | - | 2-M8x8 | 40.4 | M6x1 | 8 | 14 | 7 | 16 |
| TRS30VN | | | 96.3 | | 40 | 4-M8x8 | 69.3 | | | | | |
| TRS35VS | 48 | 70 | 75.7 | 50 | - | 2-M8x8 | 45.7 | M6x1 | 8 | 14 | 7.5 | 18 |
| TRS35VN | | | 109 | | 50 | 4-M8x8 | 79 | | | | | |
| TRS45VN | 60 | 86 | 124.5 | 60 | 60 | 4-M10x15 | 90.5 | PT 1/8 | 10.5 | 12.5 | 8.9 | 20.5 |





TRS-VS

TRS-VN

(unit : mm)

| 형번 | W1 | H1 | φdxφDxh | F | Ca (kgf) | Coa (kgf) | Mx (kgf/m) | My (kgf/m) | Mz (kgf/m) | 블럭 (kg) | 레일 (kg/m) |
|---------|----|------|---------------|-----|----------|-----------|------------|------------|------------|---------|-----------|
| TRS15VS | 15 | 13 | 4.5 x 7.5 x 6 | 60 | 908 | 1471 | 10 | 6 | 6 | 0.09 | 1.3 |
| TRS15VN | | | | | 1206 | 2206 | 16 | 14 | 14 | 0.15 | |
| TRS20VS | 20 | 16.5 | 6 x 9.5 x 8.5 | 60 | 1398 | 2140 | 21 | 10 | 10 | 0.15 | 2.3 |
| TRS20VN | | | | | 1896 | 3307 | 33 | 26 | 26 | 0.23 | |
| TRS25VS | 23 | 20 | 7 x 11 x 9 | 60 | 1943 | 3002 | 34 | 18 | 18 | 0.25 | 3.2 |
| TRS25VN | | | | | 2581 | 4503 | 52 | 43 | 43 | 0.39 | |
| TRS30VS | 28 | 23 | 9 x 14 x 12 | 80 | 2697 | 3962 | 55 | 26 | 26 | 0.48 | 4.5 |
| TRS30VN | | | | | 3807 | 6483 | 90 | 74 | 74 | 0.77 | |
| TRS35VS | 34 | 26 | 9 x 14 x 12 | 80 | 3753 | 5401 | 92 | 42 | 42 | 0.71 | 6.3 |
| TRS35VN | | | | | 5090 | 8346 | 142 | 106 | 106 | 1.15 | |
| TRS45VN | 45 | 32 | 14 x 20 x 17 | 105 | 6758 | 10887 | 248 | 158 | 158 | 1.98 | 10.4 |

Ca : 정정격 하중, Coa : 동정격하중, Mx,My,Mz: 모멘트하중