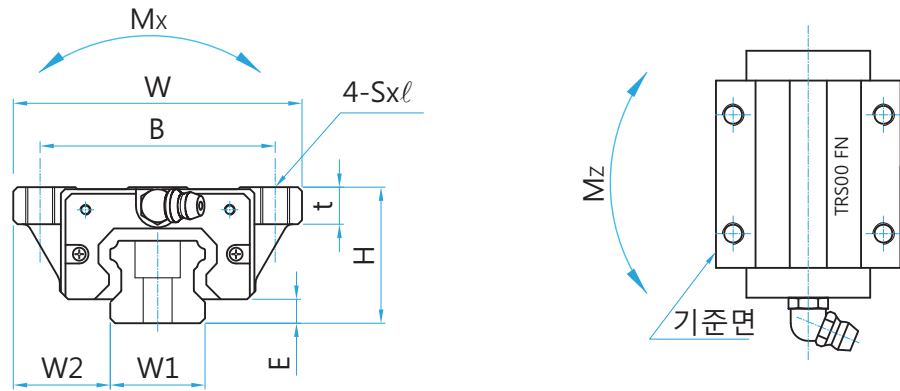
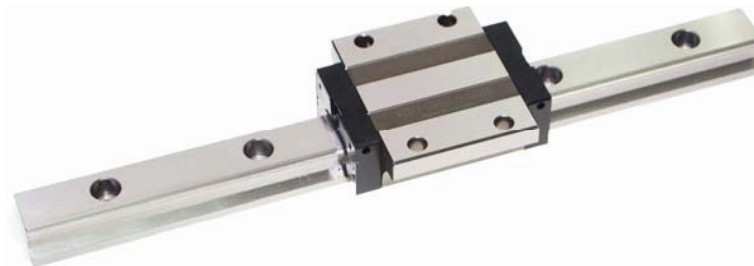


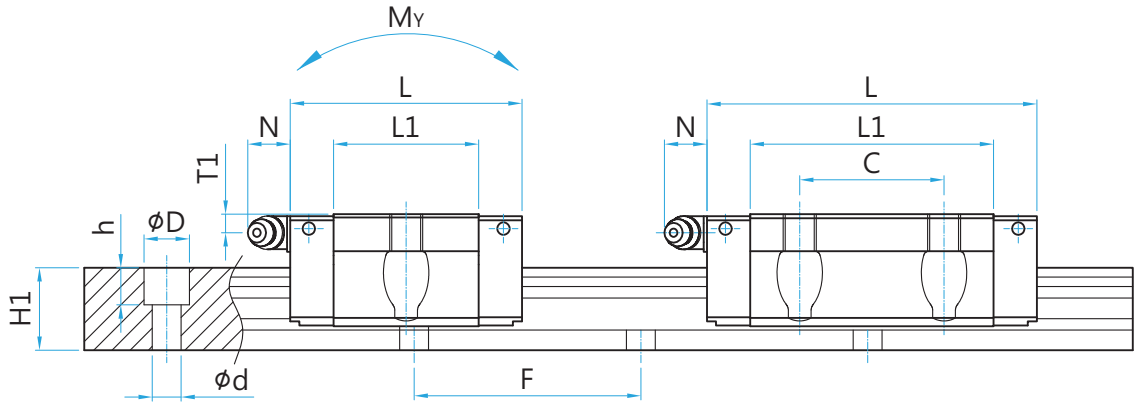
TRS-F



(unit : mm)

형번	H	W	L	B	C	Sxl	L1	t	오일홀	T1	N	E	W2
TRS15FN	24	52	56.9	41	26	M5x7	39.5	7	M4x0.7	5.5	7	3.2	18.5
TRS20FN	28	59	68.3	49	32	M6x9	46.7	9	M6x1	4.5	12	4.6	19.5
TRS25FN	33	73	81	60	35	M8x10	59	10	M6x1	4.5	12	5.8	25





TRS-FS

TRS-FN

(unit : mm)

형번	W1	H1	$\phi d \times \phi D \times h$	F	Ca (kgf)	Coa (kgf)	Mx (kgf/m)	My (kgf/m)	Mz (kgf/m)	블럭 (kg)	레일 (kg/m)
TRS15FN	15	13	4.5 x 7.5 x 6	60	1206	2206	16	14	14	0.19	1.3
TRS20FN	20	16.5	6 x 9.5 x 8.5	60	1896	3307	33	26	26	0.29	2.3
TRS25FN	23	20	7 x 11 x 9	60	2581	4503	52	43	43	0.51	3.2

Ca : 정정격 하중, Coa : 동정격하중, Mx, My, Mz: 모멘트하중