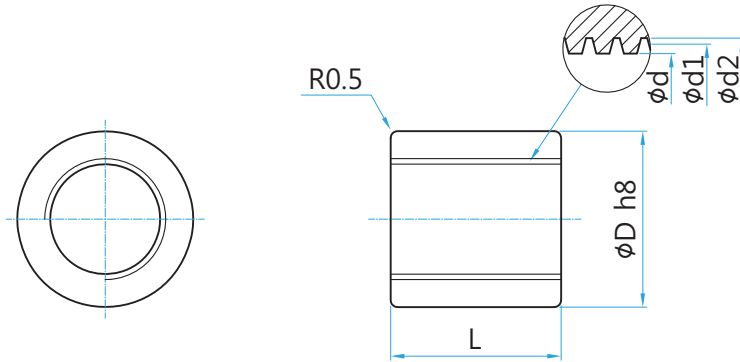


STM

너트 재질 : BC6 (청동주물)



(unit : mm)

축경 (ϕD)	형번	리드	ϕD	L	내경 ϕd	유효경 $\phi d1$	곡경 $\phi d2$	Fo (kgf)	중량 (kg)	
10	STM10	R L	2	20	20	8.5	9	10.5	220	0.05
12	STM12	R L	2	22	22	10.5	11	12.5	290	0.06
14	STM14	R L	3	22	22	11.5	12.5	14.5	350	0.05
16	STM16	R L	3	28	26	13.5	14.5	16.5	460	1
18	STM18	R L	4	32	31	14.5	16	18.5	630	0.2
20	STM20	R L	4	32	31	16.5	18	20.5	700	0.2
22	STM22	R L	5	36	40	18	19.5	22.5	1000	0.3
25	STM25	R L	5	36	40	21	22.5	25.5	1160	0.2
28	STM28	R L	5	44	45	24	25.5	28.5	1470	0.4
32	STM32	R L	6	44	45	27	29	32.5	1620	0.3
36	STM36	R L	6	52	49	31	33	36.5	2100	0.5
40	STM40	R L	6	58	57	35	37	40.5	2650	0.8
45	STM45	R L	8	64	62	38	41	45.5	3190	1
50	STM50	R L	8	68	67	43	46	50.5	4090	1.1

Fo : 동적허용추력 (kgf)